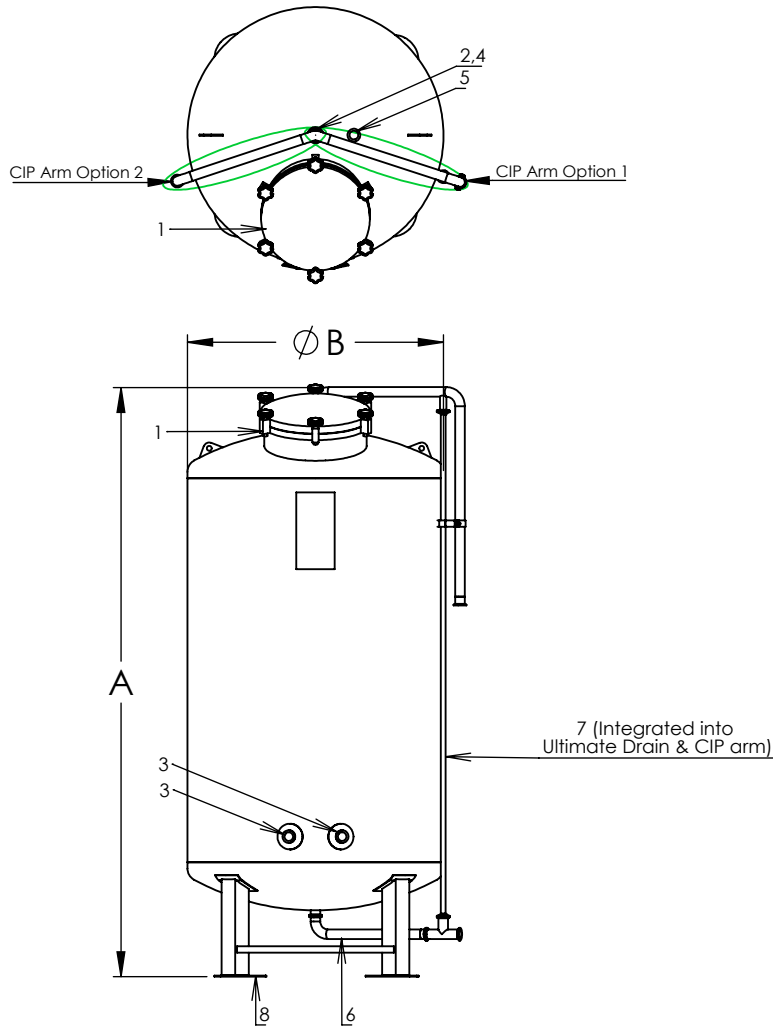


| # | Part | Qty |
|---|------------------------|-------|
| 1 | Manway | 1 |
| 2 | Sprayball | 1 |
| 3 | 1.5" TC Port | 2 |
| 4 | 2" TC Port (CIP) | 1 |
| 5 | 1.5" TC Port (PRV) | 1 |
| 6 | 1.5" TC Ultimate Drain | 1 |
| 7 | Sight Tube Assembly | 1 |
| 8 | Ø8" Foot Pad | Leg # |



Tank #: _____

CIP ARM LOCATIONS:

please indicate your preferred CIP Arm location for the corresponding tank #

Option 1: Right Side of Tank

Option 2: Left Side of Tank



COMMENTS:

PKW SW BRITE TANK SPECS

BREWERY NAME: _____

Approved

Approved with Revisions

Not Approved

Customer Signature

Printed Name

Date



CRAFT GEAR
CRAFT BEER

Office: 503-236-4500
Fax: 503-236-4513
Main Contact: 503-314-7134 (Joe W)
Project Mgmt: 971-803-1783 (Alex O)

Main Contact: Joe@Portlandkettleworks.com
Project Mgmt: Alex@PortlandKettleWorks.com
Design: Maggie@PortlandKettleWorks.com
Manufacturing: Patrick@PortlandKettleWorks.com

www.PortlandKettleWorks.Com

| Model # | Select | Capacity (BBL)* | Capacity (gal)* | Sidewal Capacity | Tank Dimensions (inch) | | Manway Location | | Loads (lbs) | | Legs | |
|-----------|--------------------------|-----------------|-----------------|------------------|------------------------|----|-----------------|-----------------------------|-------------|-------|------|------|
| | | | | | A* | B | Top | Side | Empty* | Live* | # | Size |
| 3.5BT30SW | <input type="checkbox"/> | 3.5 | 124.2 | 3.1 | 65 | 30 | Standard | Available (additional cost) | 245 | 1330 | 3 | 3" |
| 5BT36SW | <input type="checkbox"/> | 5 | 178.4 | 4.4 | 67 | 36 | Standard | Available (additional cost) | 350 | 1900 | 3 | 3" |
| 7BT36SW | <input type="checkbox"/> | 7 | 231.2 | 4.4 | 79 | 36 | Standard | Available (additional cost) | 490 | 2660 | 3 | 3" |
| 10BT40SW | <input type="checkbox"/> | 10 | 352.6 | 5.4 | 92 | 40 | Standard | Available (additional cost) | 700 | 3800 | 4 | 3" |
| 15BT48SW | <input type="checkbox"/> | 15 | 503.5 | 7.8 | 94 | 48 | Standard | Available (additional cost) | 1050 | 5700 | 4 | 4" |
| 20BT55SW | <input type="checkbox"/> | 20 | 683.3 | 10.3 | 96 | 55 | Standard | Available (additional cost) | 1400 | 7600 | 4 | 4" |
| 30BT60SW | <input type="checkbox"/> | 30 | 987.1 | 12.2 | 109 | 60 | Standard | Available (additional cost) | 2100 | 11400 | 5 | 4" |
| 40BT60SW | <input type="checkbox"/> | 40 | 1317 | 12.2 | 133 | 60 | Standard | Available (additional cost) | 2800 | 15200 | 5 | 4" |
| 60BT75SW | <input type="checkbox"/> | 60 | 1969.5 | 19.1 | 142 | 75 | Standard | Available (additional cost) | 4200 | 22800 | 5 | 4" |

*Approximate